

Rules for the inspection of transport packaging
for export tea commodities

A C B
:
:

GB/T 191 2000
GB/T 736 1987
GB/T 2828.1 2003 1 : (AQL)
GB/T 4857.1 1992
GB/T 4857.2 1992
GB/T 4857.3 1992
GB/T 4857.4 1992
GB/T 4857.5 1992
GB/T 5048 1999
GB/T 6981 2003
GB/T 9846.4 2004
GB/T 9846.8 2004
GB/T 9846.9 2004
GB/T 9846.12 1988
LY/T 1170 1995
CB/T 3811 1999
SB/T 10037 1992
SN/T 0262 1993
SN/T 0912 2000
YB/T 025 2002
YB/T 5002 1993

4.1

75%

35

4.2

100mm

4.3

4.4

4.5

A

4.6

1

GB/T 5048 1999

4.7

SB/T 10037 1992

4.8

4.9

GB/T 3811 1999

YB/T 025 2002

25000

10000

5.2.1

1

IL I

AQL

6.5

:

25	3	501 1200	32
26 90	5	1201 3200	50
91 150	8	3201 10000	80
151 280	13	10001 25000	125
281 500	20		

5.2.2

2

		3
		3
		3
		3
		3
		3
		3

GB/T 2828.1 2003

3

A

B

	"	12	"
	B.1		B
		GB/T 191	B
			A
			A
	100mm	5	B
	20%	5mm	
			A
			A
		20%	3mm
			30%
			1/3
		1%	2%
		20%	
			A
			A
			A
		20mm×20mm	±1mm
	30mm×30mm		±2mm
		±5mm	
		1140mm	2.5mm
		GB/T 736	1.5mm
		±2 /100mm	47×35 /100mm
			±1.5 /100mm
	3.5mm	4.0mm	±0.3mm
		LY/T 1170 1995	3.4

		LY/T 1170 1995 3.6	B
		YB/T 5002 C	A
		60mm	A
		3mm	A
		± 2mm	B

3

4

3	0	1
5	1	2
8	1	2
13	2	3
20	3	4
32	5	6
50	7	8
80	10	11
125	14	15

SN/T 0912 2000 4.2.3.1

15%

12%

GB/T 9846.8-2004 GB/T 9846.9-2004

GB/T 9846.12-1998 IV

0.70MPa

GB/T 9846.4 2004 8.2.4

8.2.6 8.2.7

SN/T 0262 1993 5.1.2.1

02

SN/T 0262 1993 5.1.2.1

4

GB/T 4857.2-1992

23 ± 2

50%± 2%

24h

5min

SN/T 0262 1993 5.2.3

50g

SN/T 0262 1993 5.2.4 5.2.5 5.2.6 5.2.7

SN/T 0262 1993 5.2.4.2

SN/T 0262 1993 5.1.2.2

11%± 2%

- a)
- b)
- c)
- d)

GB/T 4857.1-1992

GB/T 4857.2-1992

23 ± 2

50%± 2%

24h

5min

GB/T 4857.3-1992

6.2.4

DB33/T 506—2004

GB/T 4857. 3-1992

3m

24h

2

1

$$M=K \frac{H}{h} \cdot M$$

..... 1

M----- kg

K-----

H----- m

h----- m

M----- kg

GB/T 4857. 5-1992

6.2.4

GB/T 4857. 5-1992

1.2m

7

GB/T 4857. 4-1992

6.2.4

GB/T 4857. 4-1992

3m

2

$$P=KG \times \frac{H}{h} \cdot 1 \times 9.8$$

..... 2

P----- N

K----- , 2

G----- kg

H----- m

h----- m

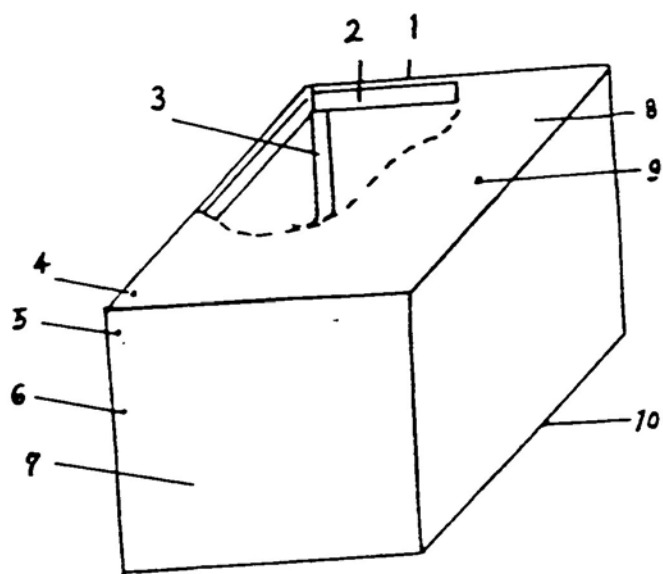
P

GB/T 6981-2003

6.2.4			3%	
GB/T 6981-2003	40 ± 1	90%± 2%		30
		5.5%		
5.5%				

A.1

		mm L× B× H	
		460× 460× 464 435× 435× 460	< 46kg
		500× 400× 600 400× 400× 600	
		460× 435× 435 460× 460× 400 600× 400× 400 600× 500× 400 575× 385× 385	< 40kg



- 1 —
- 2 —
- 3 —
- 4 —
- 5 —
- 6 —
- 7 —
- 8 —
- 9 —
- 10 —

C.1

	30	2
	25	8
	25	4
	25	4
	25	4
	50	1
	25	2

“ 90-2003”

SB/T10036		SB/T10094	SB/T10037	SN/T0912	
	4		ISO		4
	SN		SB		
GB/T1. 1					
GB2828				SN	

	GB/T1. 1-2000	1
SN/T0004-1995		

SB/T10037